



**INDIAN INSTITUTE OF SCIENCE EDUCATION AND
RESEARCH THIRUVANANTHAPURAM [IISERTVM]**

PH.-0471 2597454,
FAX: 0471-2597427
EMAIL: purchasestores@iisertvm.ac.in

CET CAMPUS, ENGINEERING COLLEGE. P.O
THIRUVANANTHAPURAM 695016,
KERALA, INDIA

Date: 31st March 2016

ADDENDUM

Ref: Invitation to Tender No: IISER/PUR/6877/15
Dated 26th March 2016
Sub: Supply of Gas Sensor Characterization System.

Further to the specification of this Invitation to Tender, the Schematic Diagrams for Heating Chamber – Annexure A and the Setup configuration – Annexure B are attached.

The other terms and conditions of the above Tender remain same.

Thanking You,

Yours Faithfully


K. Bhaskara Rao 31/3/16
Deputy Registrar
(Purchase & Stores)

Annexure A

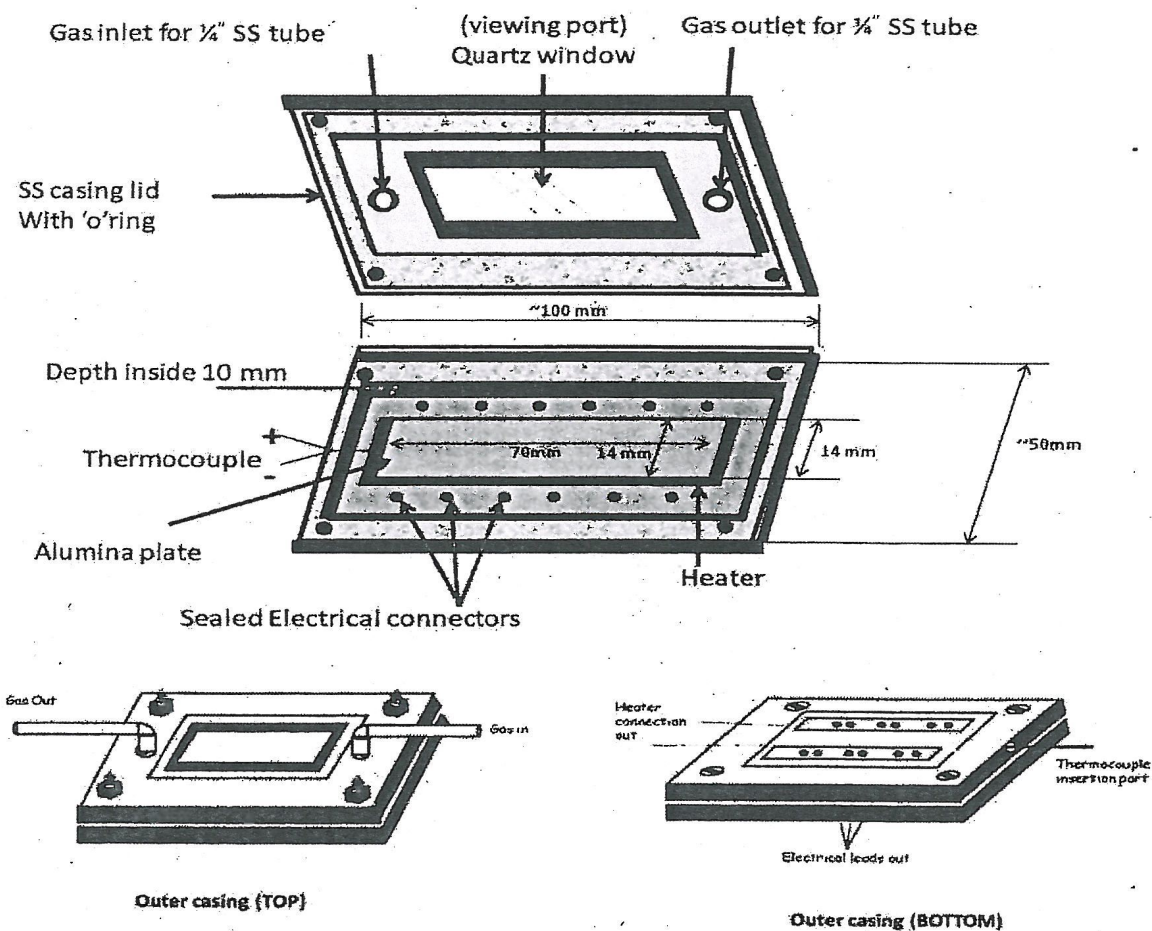
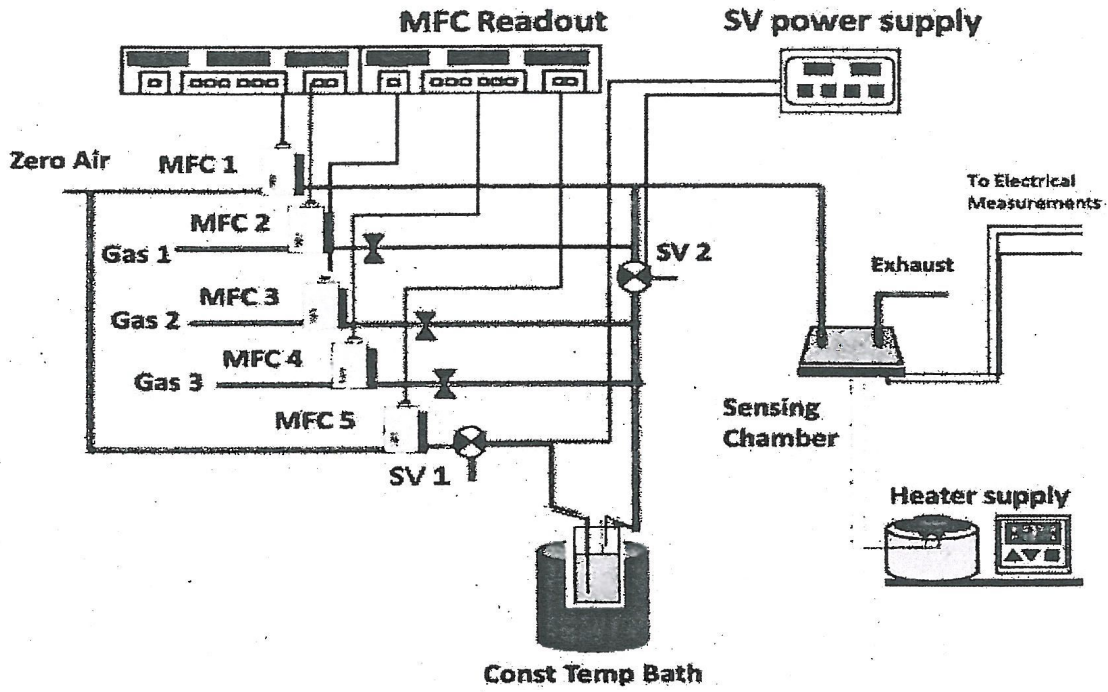


Figure A1: SS Heating chamber schematic diagram

ehw
 -3/3/16
 Deputy Registrar
 Purchase & Stores

Annexure B



The setup configuration schematic diagram

MFC : Mass Flow controller

SV: Solenoid timer Valve

WBS
Deputy Registrar
Purchase & Stores

37/3/16