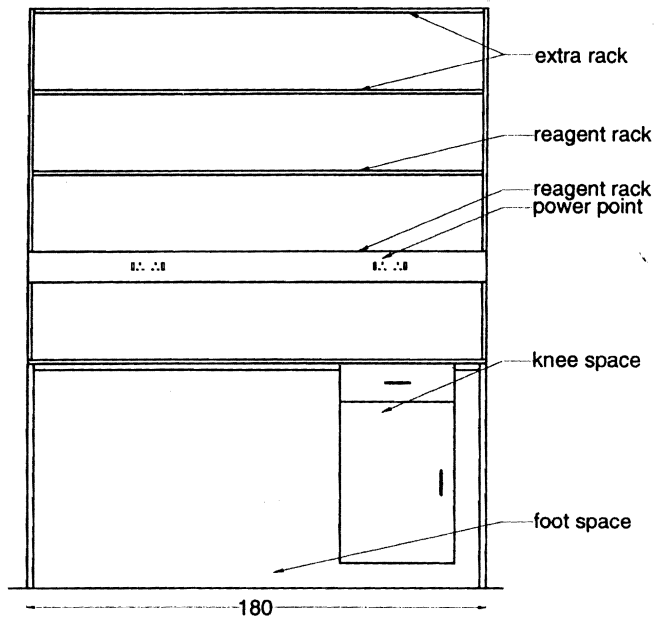
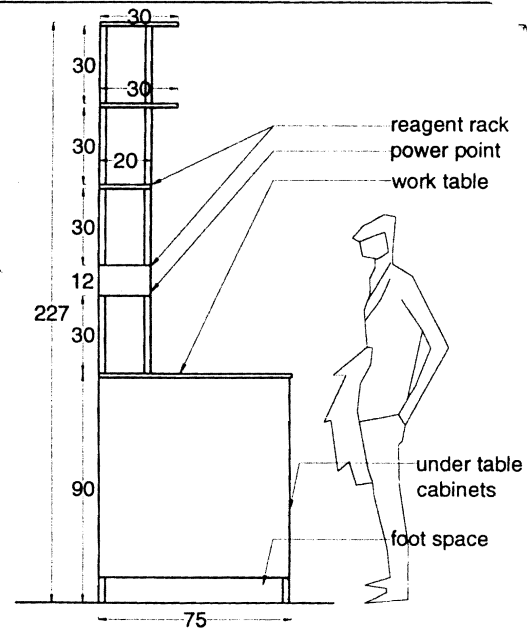


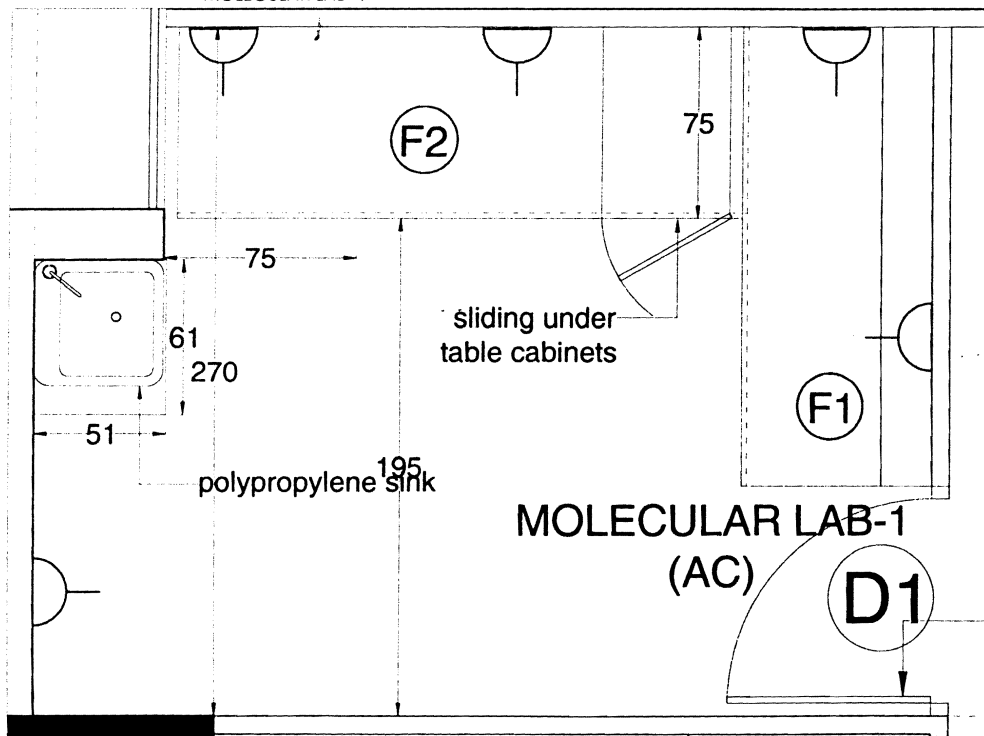
WALL TABLE (F2)- FRONT ELEVATION
MOLECULAR LAB -1



WALL TABLE (F1)- FRONT ELEVATION
MOLECULAR LAB -1



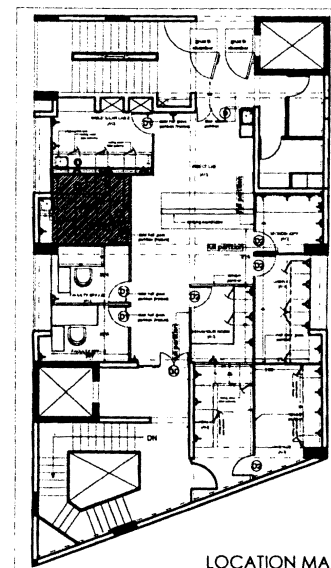
WALL TABLE (F1)- SIDE ELEVATION
MOLECULAR LAB -1



MOLECULAR LAB-1
(AC)

PLAN
MOLECULAR LAB -1

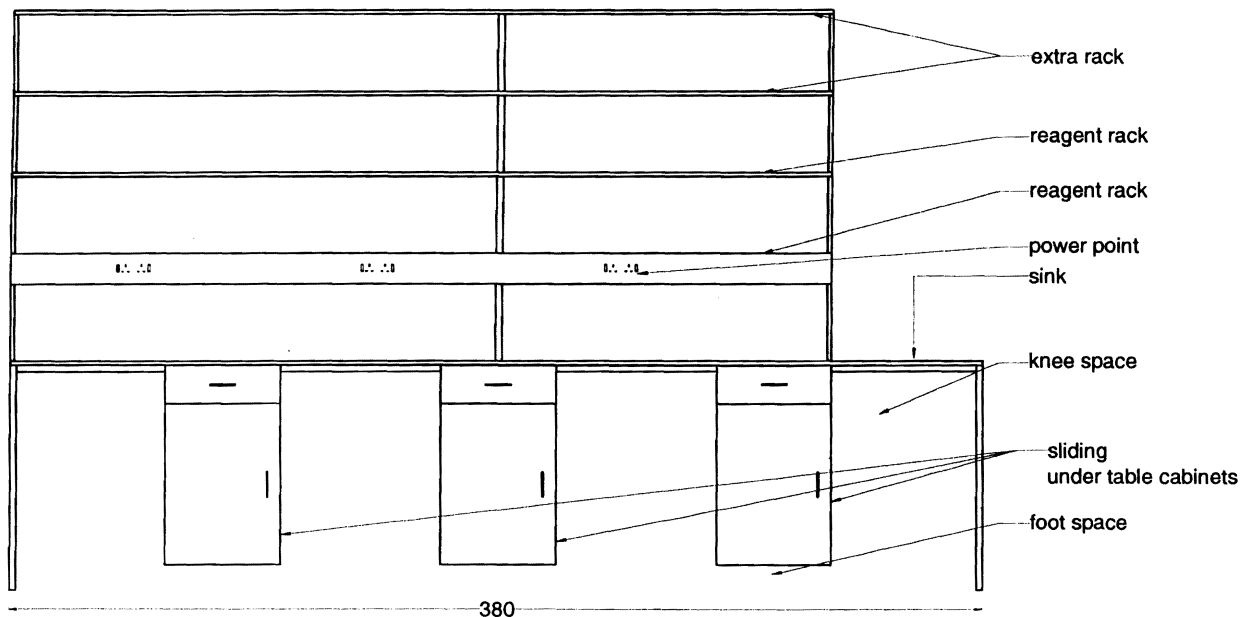
[Signature]
K. BHASKARA RAO
Deputy Registrar
[Purchase & Stores]
IISER TVM



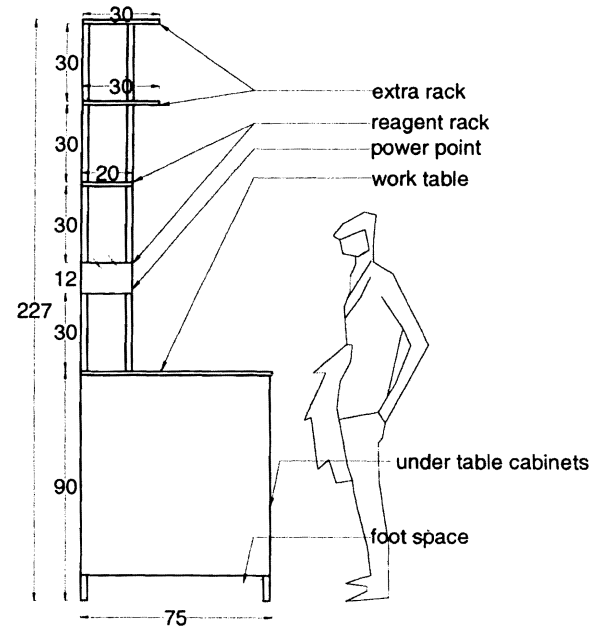
| | | |
|--|--------------|-------------------|
| | | |
| PROJECT : MALAYIL CENTRE INTERIOR DESIGN | | |
| TITLE : 4th FLOOR- FURNITURE LAYOUT | | |
| DRAWN : SHEBIN | CHECKED : | APPROVED : |
| DWG No : IC/MC/R02/01 | SCALE : | DATE : 09.08.2014 |
| All dimensions in CM | REVISION : 0 | SHEET No : 2 OF 2 |

PRODUCED BY AN AUTODESK EDUCATIONAL PRODUCT

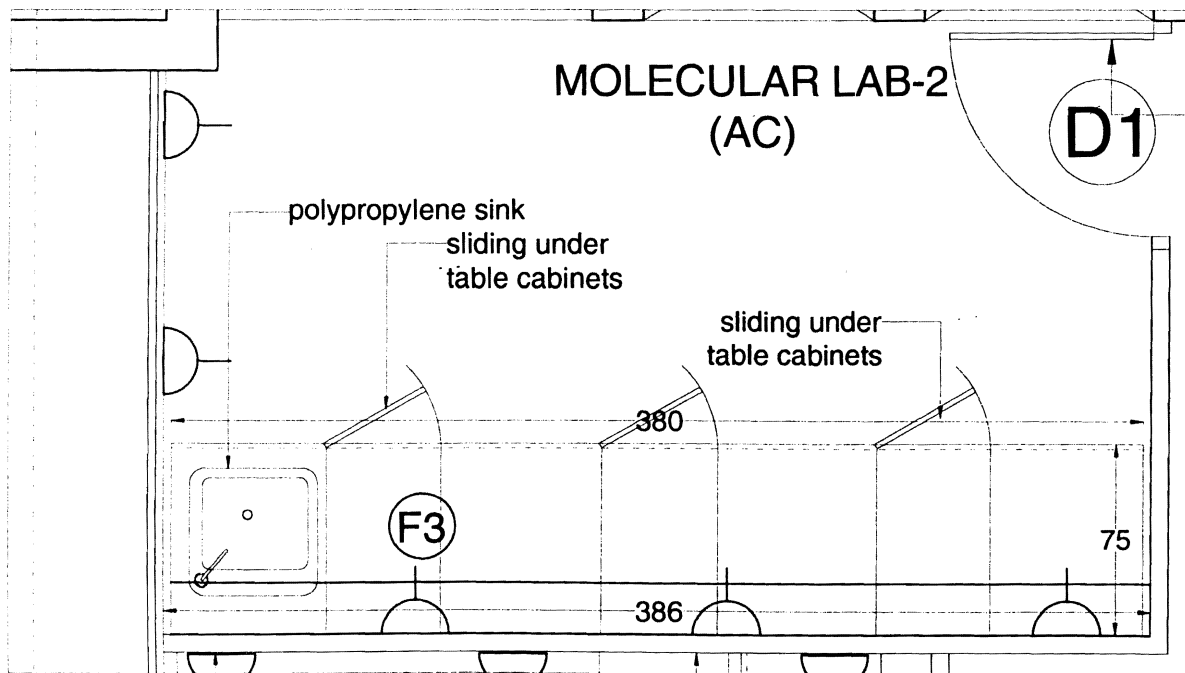
PRODUCED BY AN AUTODESK EDUCATIONAL PRODUCT



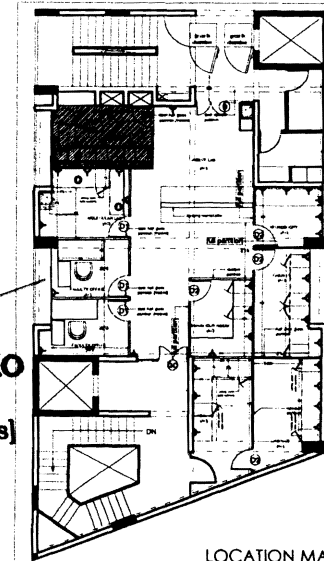
WALL TABLE (F3)- FRONT ELEVATION
MOLECULAR LAB -2




WALL TABLE (F3)- SIDE ELEVATION
MOLECULAR LAB -2



PLAN
MOLECULAR LAB -2



reho
K. BHASKARA RAO
Deputy Registrar
[Purchase & Stores]
IISER TVM

| | | |
|---|--------------|-------------------|
|  | | |
| PROJECT : MALAYIL CENTRE INTERIOR DESIGN | | |
| TITLE : 4th FLOOR- FURNITURE LAYOUT | | |
| DRAWN : SHEBIN | CHECKED : | APPROVED : |
| DWG No : IC/MC/F01/01 | SCALE : | DATE : 09.08.2014 |
| All dimensions in CM | REVISION : 0 | SHEET No : 1 OF 2 |

PRODUCED BY AN AUTODESK EDUCATIONAL PRODUCT

PRODUCED BY AN AUTODESK EDUCATIONAL PRODUCT